

1 Blocking
 3/16" = 1'-0"

Director: Joe Urdiales

Stage Level Plan

Cabaret

Designed by

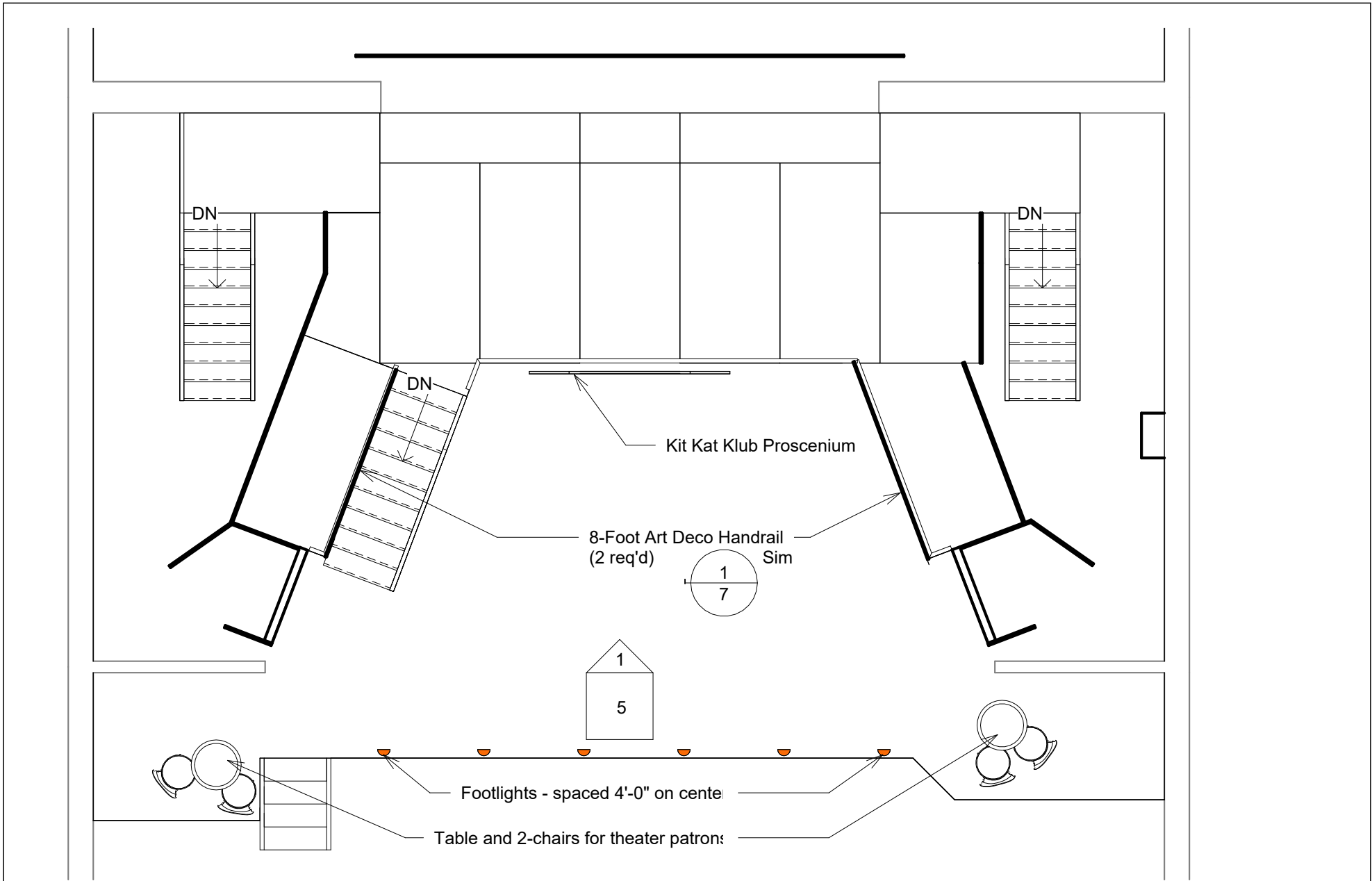
David Cohn

1

Date

7/31/24

Scale 3/16" = 1'-0"



① Stage
3/16" = 1'-0"

Director: Joe Urdiales

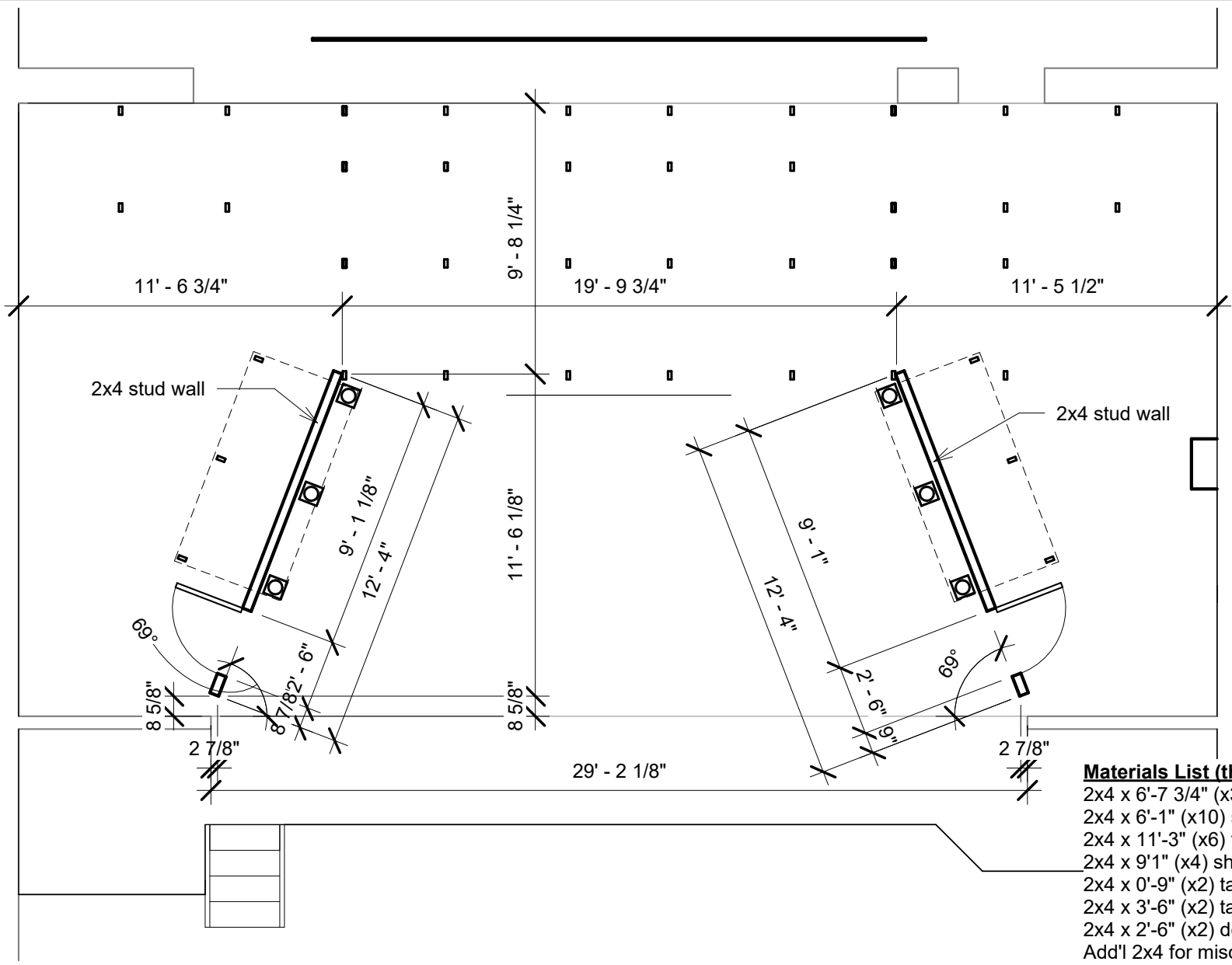
Platform-Level Plan

Cabaret

Designed by
David Cohn

2

Date 7/31/24 Scale 3/16" = 1'-0"



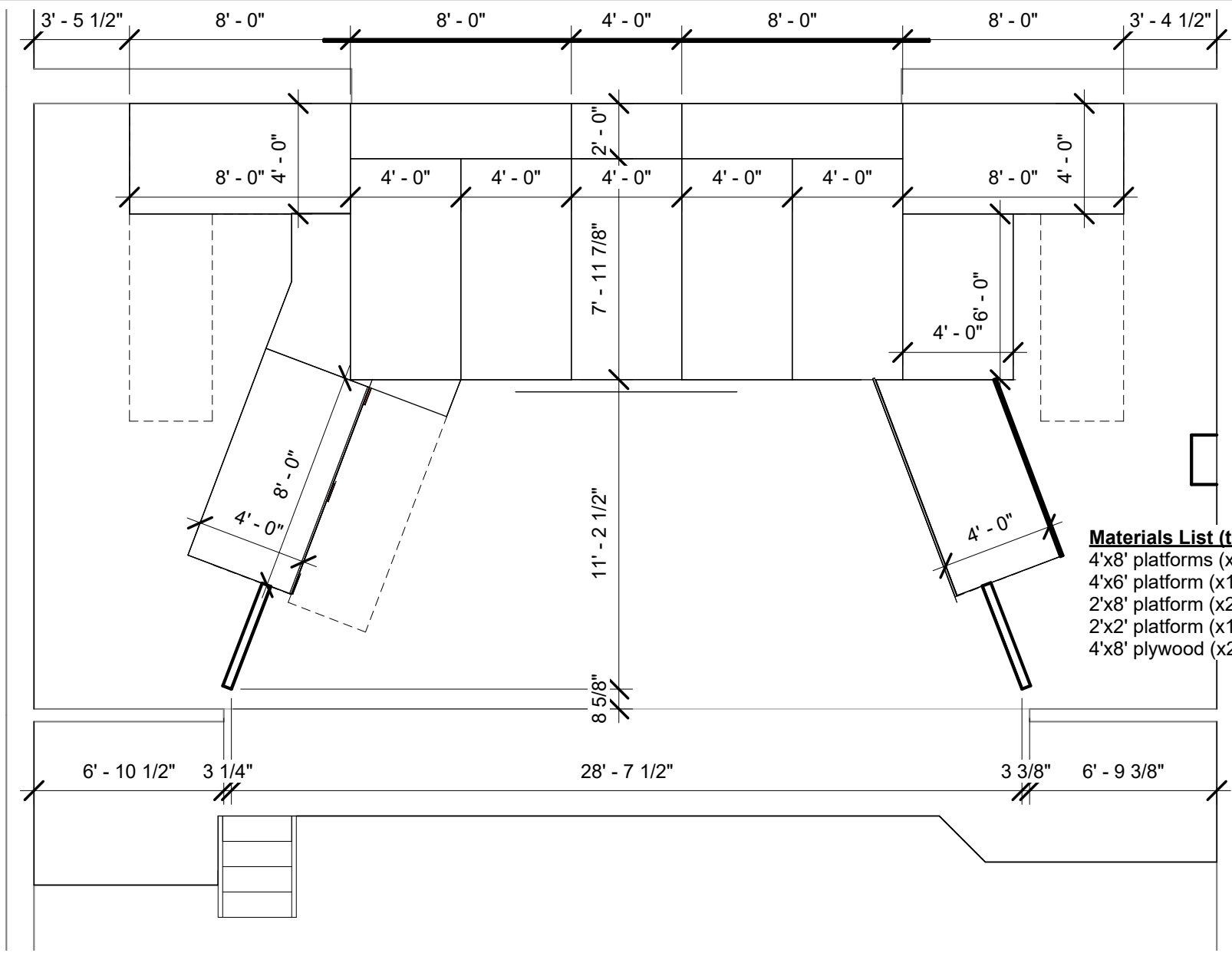
- Materials List (this level):**
- 2x4 x 6'-7 3/4" (x39) supports
 - 2x4 x 6'-1" (x10) short walls
 - 2x4 x 11'-3" (x6) tall walls
 - 2x4 x 9'1" (x4) short wall plates
 - 2x4 x 0'-9" (x2) tall wall bottom plates
 - 2x4 x 3'-6" (x2) tall wall top plates
 - 2x4 x 2'-6" (x2) door headers
 - Add'l 2x4 for misc framing

① Stage-Level Framing
3/16" = 1'-0"

Director: Joe Urdiales

Cabaret

Stage Dimensions	
Designed by David Cohn	3
Date	7/31/24 Scale 3/16" = 1'-0"



- Materials List (this level):**
- 4'x8' platforms (x8)
 - 4'x6' platform (x1)
 - 2'x8' platform (x2)
 - 2'x2' platform (x1)
 - 4'x8' plywood (x2 for add'l floor areas)

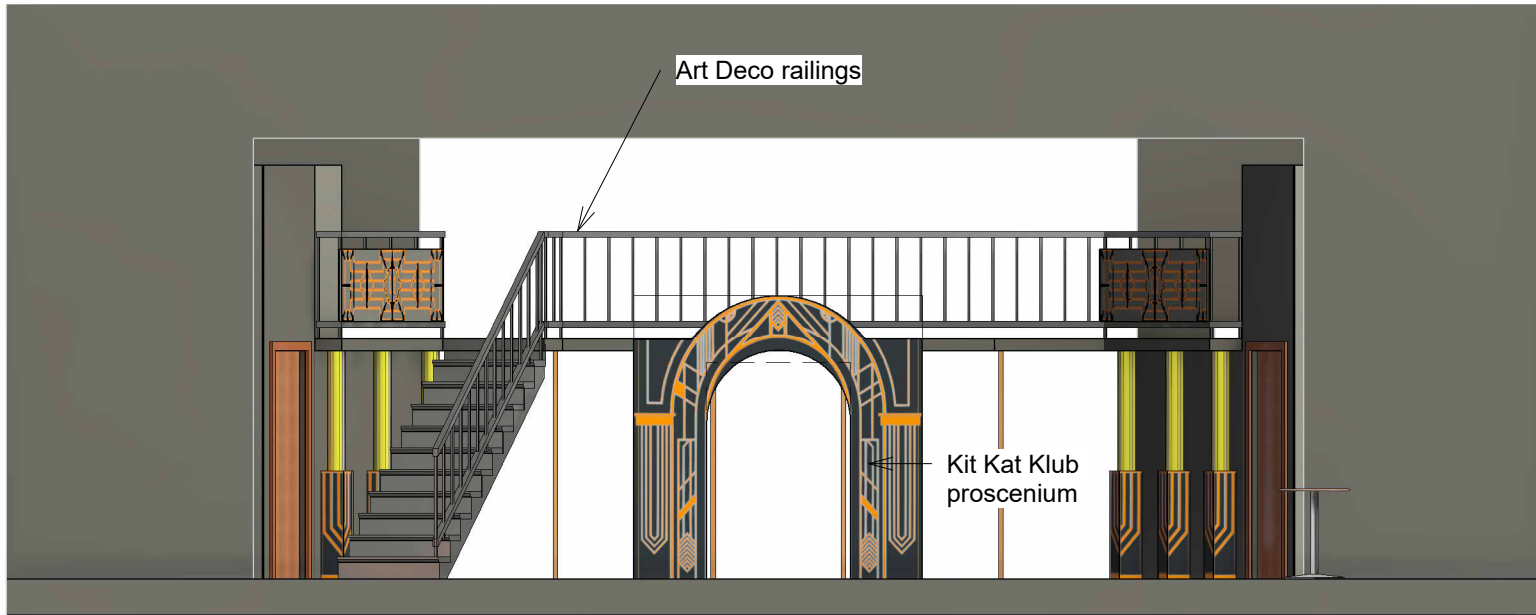
① Platform-Level Framing
 3/16" = 1'-0"

Director: Joe Urdiales

Cabaret

Platform Dimensions

Designed by	David Cohn	4
Date	7/31/24	



① Elevation 1 - a
3/16" = 1'-0"

Director: Joe Urdiales

Elevations

Designed by

David Cohn

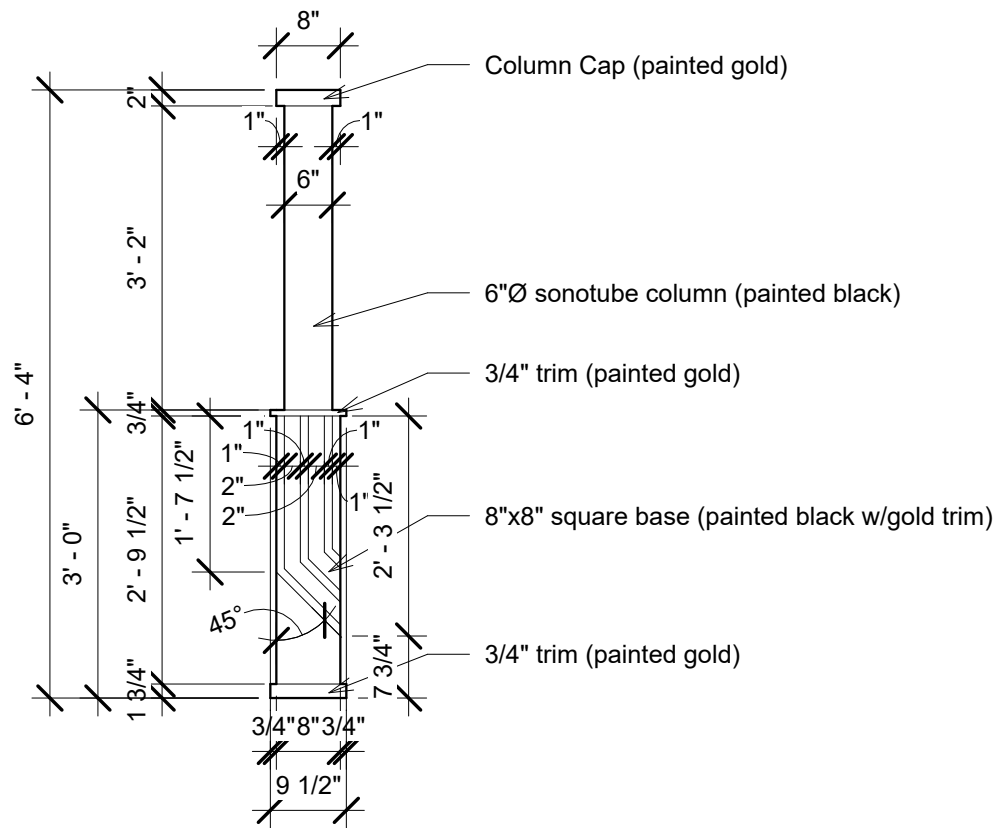
5

Cabaret

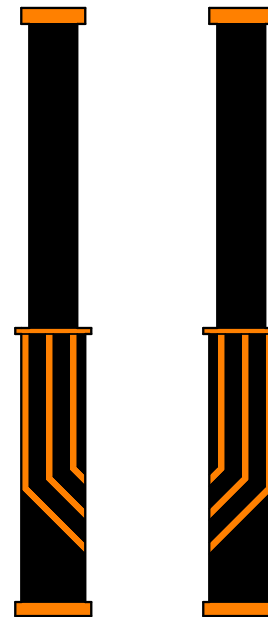
Date

7/31/24

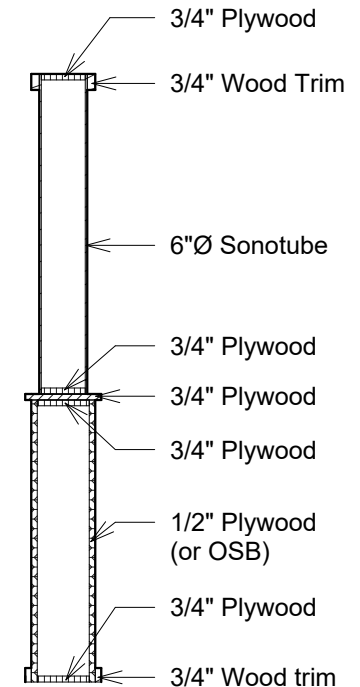
Scale 3/16" = 1'-0"



Dimensions



Column painting



Cross section

① Decorative Column
1/2" = 1'-0"

Director: Joe Urdiales

Decorative Columns

Cabaret

Designed by

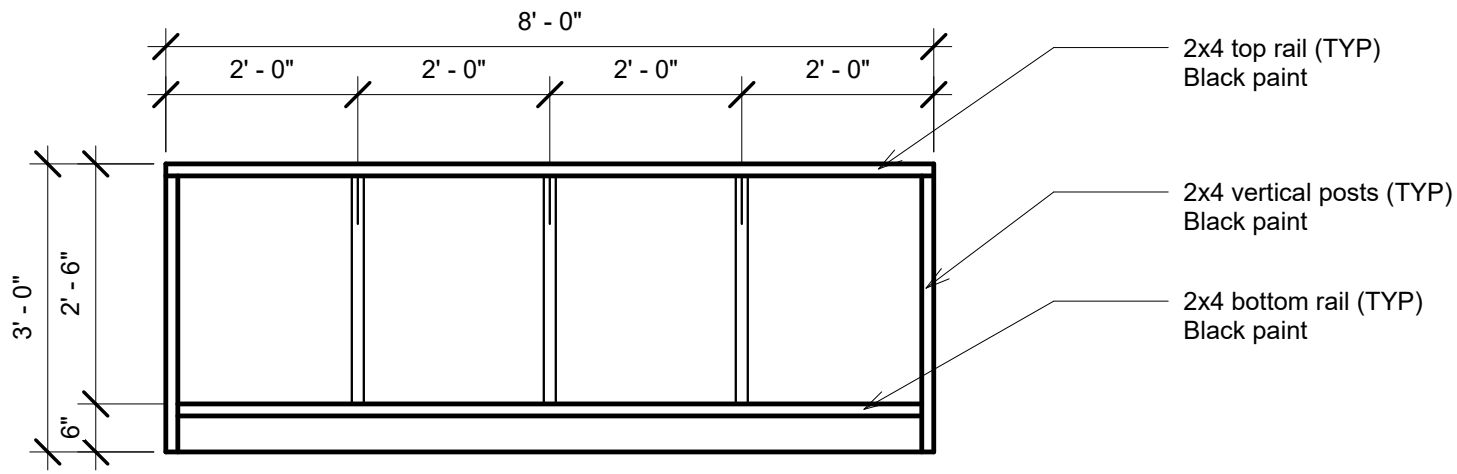
David Cohn

6

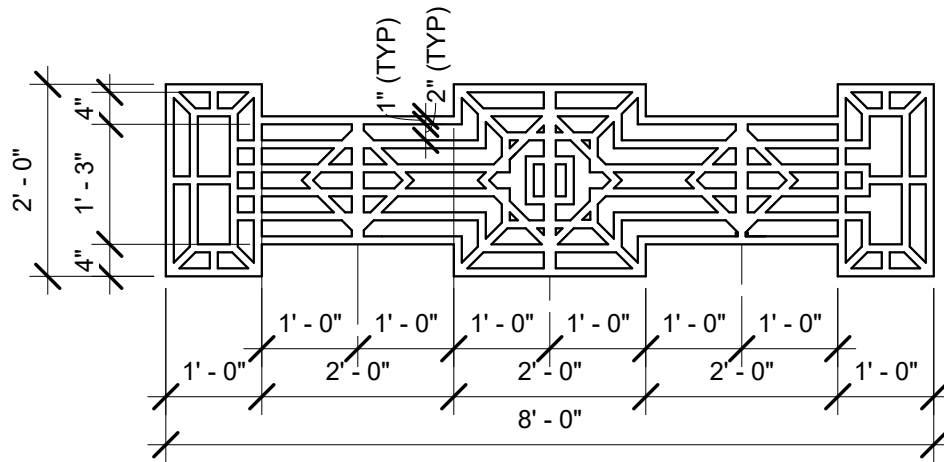
Date

7/31/24

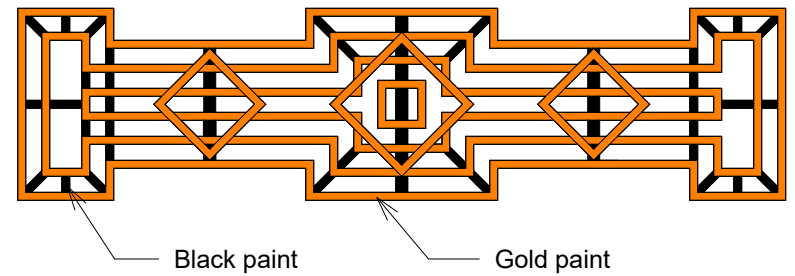
Scale 1/2" = 1'-0"



Handrail framing



Deco handrail profile



Deco handrail painting

① Art Deco Handrail
1/2" = 1'-0"

Director: Joe Urdiales

Deco Handrails

Cabaret

Designed by

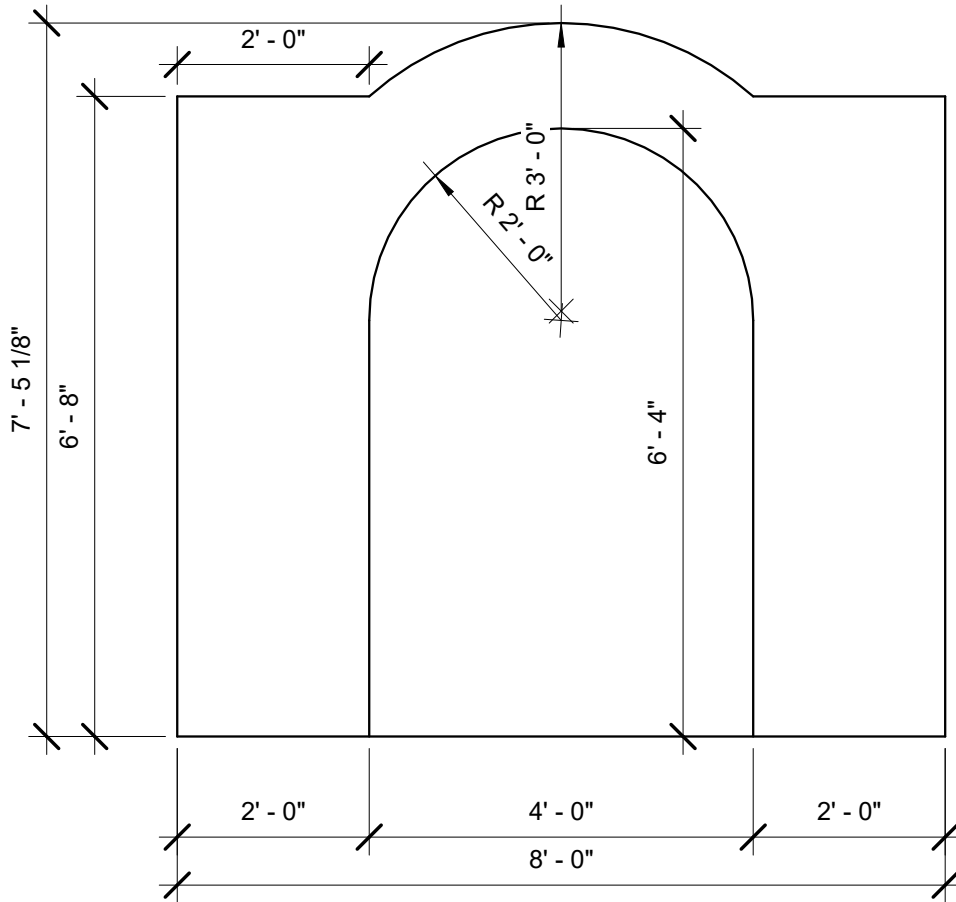
David Cohn

7

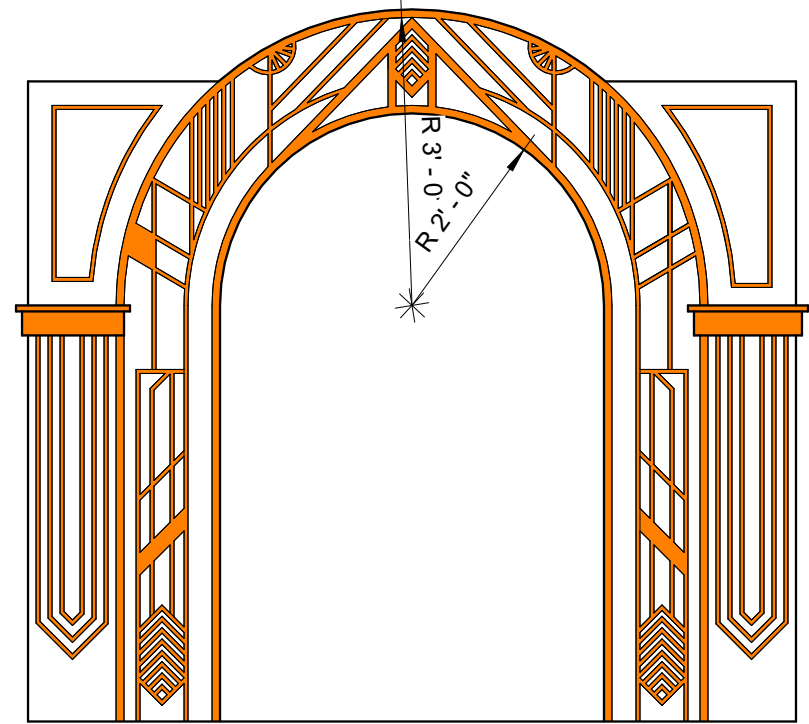
Date

7/31/24

Scale 1/2" = 1'-0"



Proscenium Dimensions



Proscenium Painting

① Kit Kat Klub Proscenium
 1/2" = 1'-0"

Director: Joe Urdiales

Kit Kat Klub

Cabaret

Designed by

David Cohn

8

Date

7/31/24

Scale 1/2" = 1'-0"



① 3D View 1

Director: Joe Urdiales

3D View

Cabaret

Designed by

David Cohn

9

Date

7/31/24

Scale



① View from Extreme Left of House



② View from Extreme Right of House

Director: Joe Urdiales

Cabaret

Extreme Views

Designed by

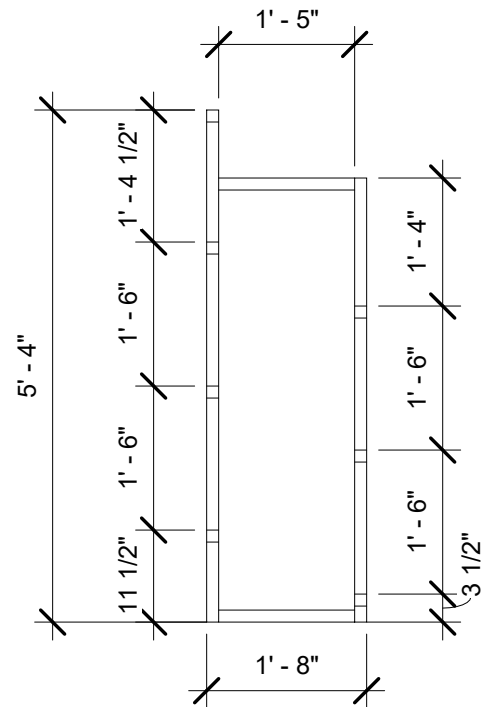
David Cohn

10

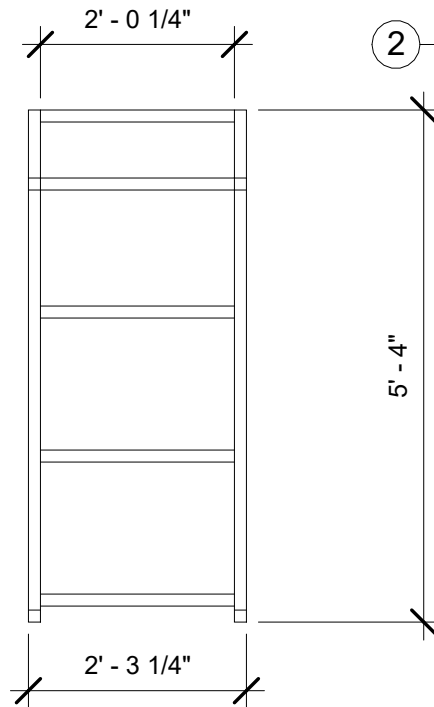
Date

7/31/24

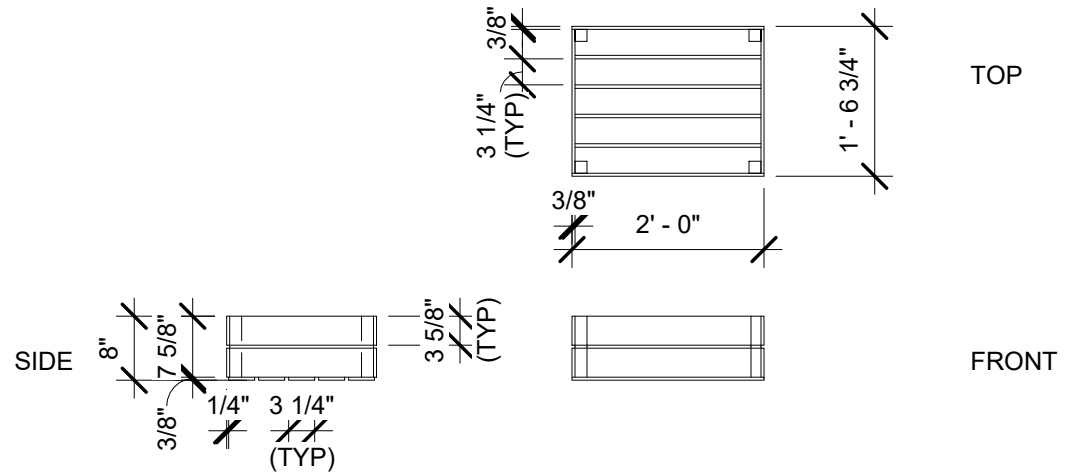
Scale



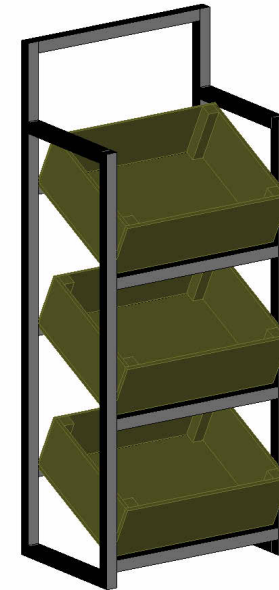
SIDE



FRONT



② Fruit Crate
1/2" = 1'-0"



① Fruit Stand
1/2" = 1'-0"

Director: Joe Urdiales

Fruit Stand

Cabaret

Designed by

Author

11

Date

7/31/24

Scale 1/2" = 1'-0"